



Intelligent Power Modules

Quick Reference for Intelligent Power Modules

V _{DSS} /V _{CES} (V)	I _O /I _C (A)	Thermal protective function*	IGBT-IPM		MOS-IPM
			PWM Input Frequency up to 6kHz	PWM Input Frequency up to 20kHz	
			 HSDIP25	 HSDIP25-VC	
600	10	TSD	BM63363S-VA BM63363S-VC	BM63763S-VA BM63763S-VC	
		VOT	BM63563S-VA BM63563S-VC	BM63963S-VA BM63963S-VC	
	15	TSD	BM63364S-VA BM63364S-VC	BM63764S-VA BM63764S-VC	BM65364S-VA BM65364S-VC
		VOT	BM63564S-VA BM63564S-VC	BM63964S-VA BM63964S-VC	
	30	TSD		BM63767S-VA BM63767S-VC	
		VOT		BM63967S-VA BM63967S-VC	

*TSD: Thermal Shut Down, VOT: Analog Temperature Output

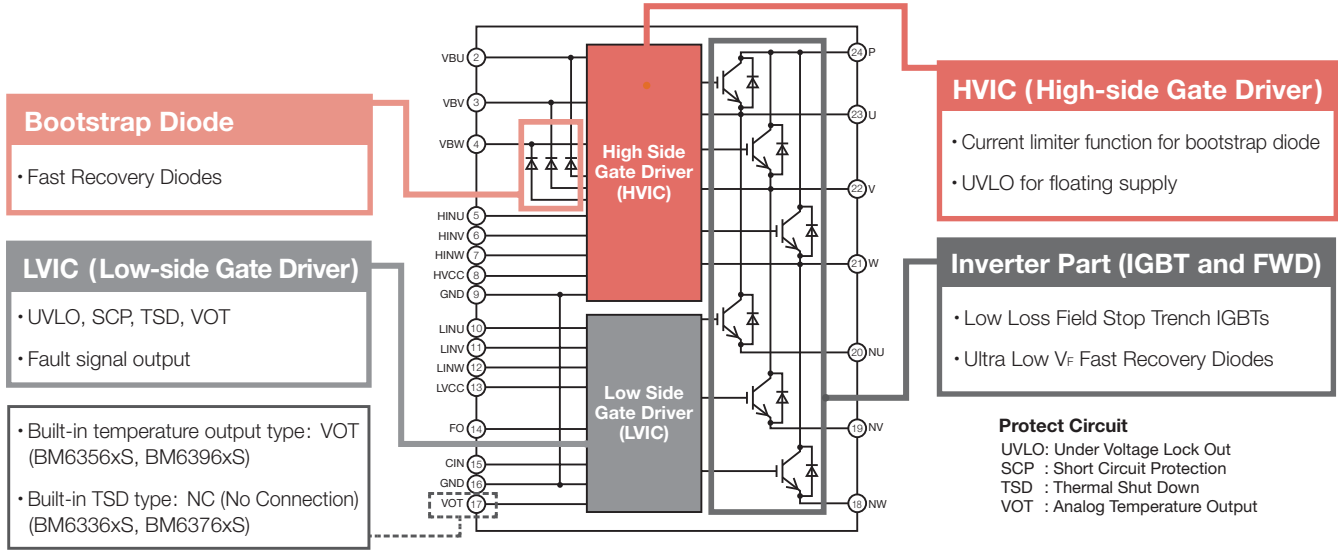
Intelligent Power Modules

IGBT-IPM									
Part No.	Power Device	V _{CES} (V)	I _C (A)	V _{CE(sat)} (V)	PWM Input Frequency (kHz)	Isolation Voltage ^{*1} (Vrms)	Thermal Protective Function ^{*2}	Package	
BM63363S-VA	IGBT	600	10	1.5	up to 6	1,500	TSD	HSDIP25	
BM63363S-VC	IGBT	600	10	1.5	up to 6	1,500	TSD	HSDIP25VC	
BM63563S-VA	IGBT	600	10	1.5	up to 6	1,500	VOT	HSDIP25	
BM63563S-VC	IGBT	600	10	1.5	up to 6	1,500	VOT	HSDIP25VC	
BM63763S-VA	IGBT	600	10	1.7	up to 20	1,500	TSD	HSDIP25	
BM63763S-VC	IGBT	600	10	1.7	up to 20	1,500	TSD	HSDIP25VC	
BM63963S-VA	IGBT	600	10	1.7	up to 20	1,500	VOT	HSDIP25	
BM63963S-VC	IGBT	600	10	1.7	up to 20	1,500	VOT	HSDIP25VC	
BM63364S-VA	IGBT	600	15	1.5	up to 6	1,500	TSD	HSDIP25	
BM63364S-VC	IGBT	600	15	1.5	up to 6	1,500	TSD	HSDIP25VC	
BM63564S-VA	IGBT	600	15	1.5	up to 6	1,500	VOT	HSDIP25	
BM63564S-VC	IGBT	600	15	1.5	up to 6	1,500	VOT	HSDIP25VC	
BM63764S-VA	IGBT	600	15	1.7	up to 20	1,500	TSD	HSDIP25	
BM63764S-VC	IGBT	600	15	1.7	up to 20	1,500	TSD	HSDIP25VC	
BM63964S-VA	IGBT	600	15	1.7	up to 20	1,500	VOT	HSDIP25	
BM63964S-VC	IGBT	600	15	1.7	up to 20	1,500	VOT	HSDIP25VC	
BM63767S-VA	IGBT	600	30	1.7	up to 20	1,500	TSD	HSDIP25	
BM63767S-VC	IGBT	600	30	1.7	up to 20	1,500	TSD	HSDIP25VC	
BM63967S-VA	IGBT	600	30	1.7	up to 20	1,500	VOT	HSDIP25	
BM63967S-VC	IGBT	600	30	1.7	up to 20	1,500	VOT	HSDIP25VC	
MOS-IPM									
Part No.	Power Device	V _{CES} (V)	I _C (A)	R _{on} (mΩ)	Recommended Switching Frequency (kHz)	Isolation Voltage ^{*1} (Vrms)	Thermal Protective Function ^{*2}	Package	
BM65364S-VA	MOSFET	600	15	120	up to 20	1,500	TSD	HSDIP25	
BM65364S-VC	MOSFET	600	15	120	up to 20	1,500	TSD	HSDIP25VC	

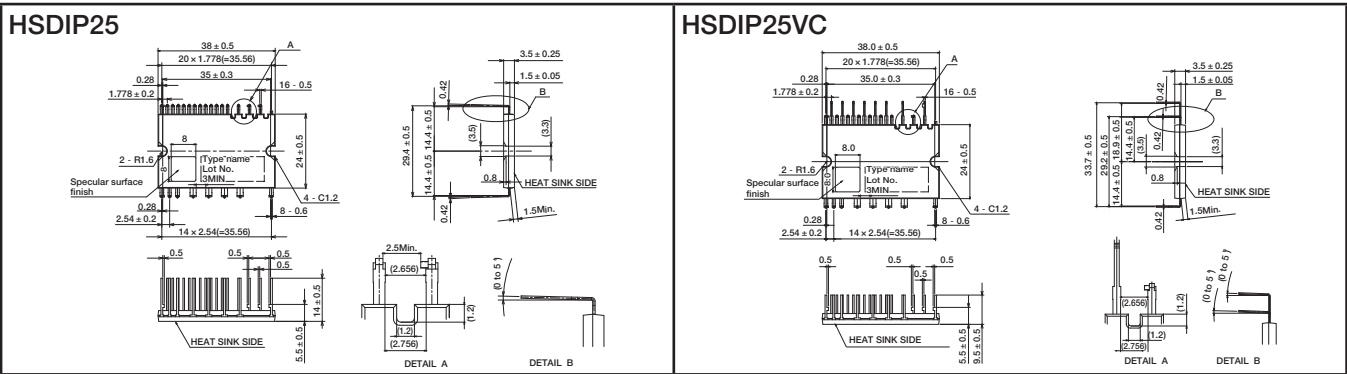
*1 AC60Hz, 1 minutes, Corresponds to isolation voltage 2,500Vrms in the case the convex-shaped heat sink.

*2 TSD: Thermal Shut Down, VOT: Analog Temperature Output

Block Diagram IGBT-IPM



Packages (Unit: mm)



Part No. Explanation

