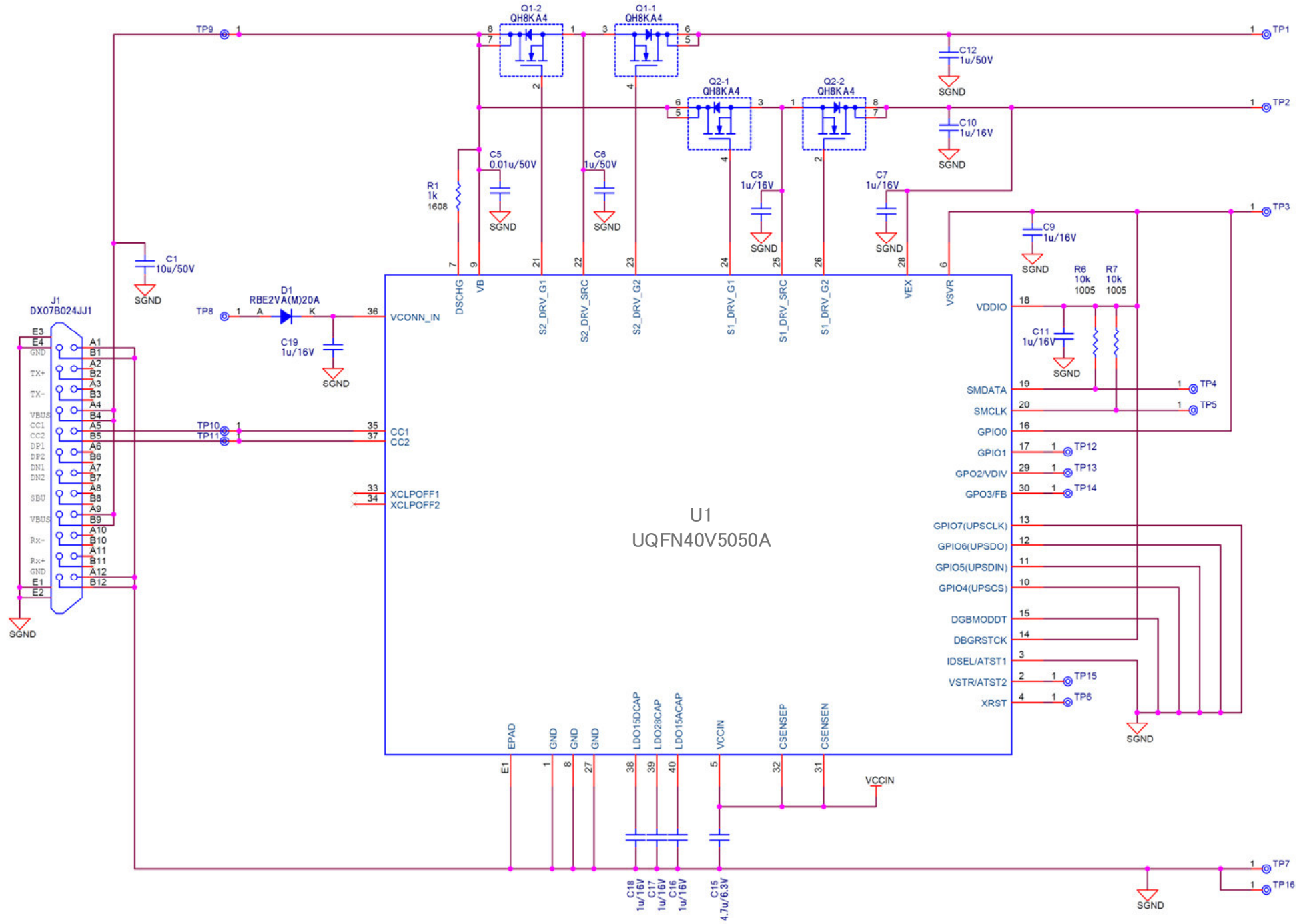


BM92A12/13/14MWV_EVK_001 Schematic



BM92A12/13/14MWV-EVK-001 BOM List

No.	Reference	Contents	Characteristic	Qty.
1	U1	TYPE-C USB PD Controller	5.0x5.0x1.0, UQFN40V5050A Rohm Part Number : BM92A1xMWV	1
2	Q1A,Q1B,Q2A,Q2B	MOS FET	N-ch 2.8x3.0x0.8, TSMT8 Rohm Part Number : QH8KA4	2
3	C1	Cap	10uF, 3216, X5R, 50V	1
4	C6,C12	Cap	1uF, 1608, X5R, 50V	3
5	C7,C8,C9,C10,C11, C16,C17,C18,C19	Cap	1uF, 1005, X5R, 16V	9
6	C5	Cap	0.01uF, 1005, X5R, 50V	2
7	C15	Cap	4.7uF, 1005, X5R, 6.3V	1
8	R1	Resistor	1k, 1608 Rohm Part Number : MCR03EZPF1001	1
9	R6,R7	Resistor	10k, 1005 Rohm Part Number : MCR01MRTF1002	3
10	J1	USB Receptacle	USB TYPE-C	1
13	D1	Schottky barrier diode	2.5x1.3x0.6,2514 Rohm Part Number : RBE2VA(M)20A	1