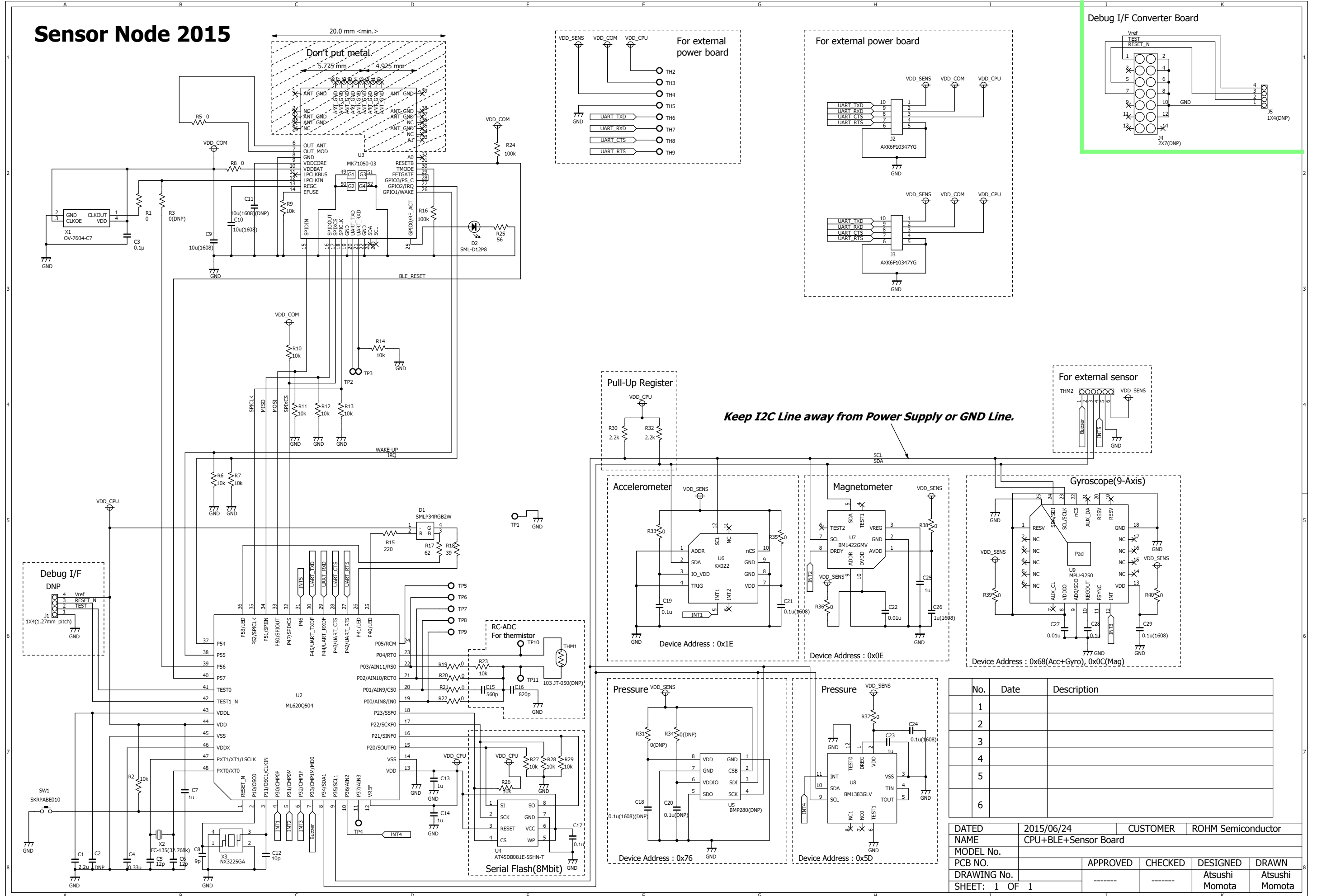


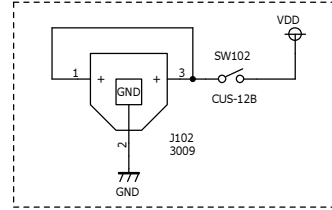
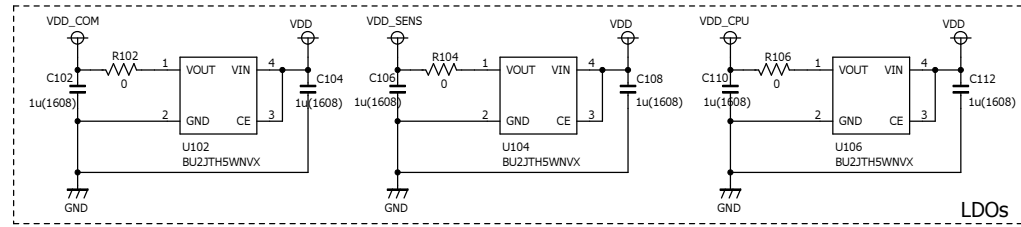
# Sensor Node 2015



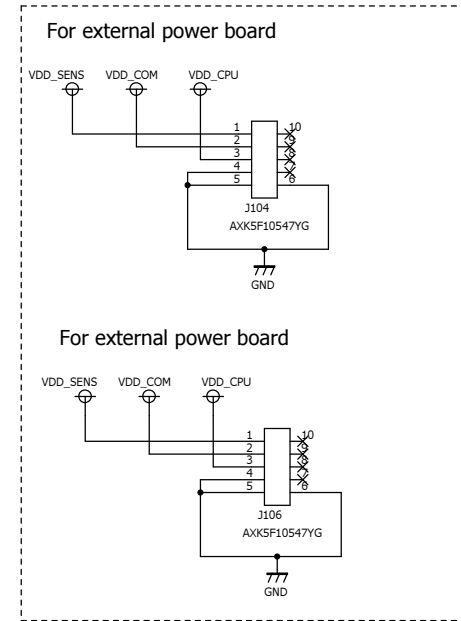
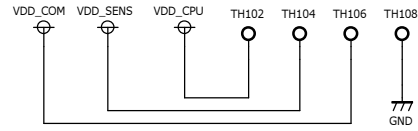
No.	Date	Description
1		
2		
3		
4		
5		
6		

DATED	2015/06/24	CUSTOMER	ROHM Semiconductor		
NAME	CPU+BLE+Sensor Board				
MODEL No.					
PCB NO.		APPROVED	CHECKED	DESIGNED	DRAWN
DRAWING No.		-----	-----	Atsushi Momota	Atsushi Momota
SHEET: 1 OF 1					

# Sensor Node 2015



CR2450 Board



No.	Date	Description
1		
2		
3		
4		
5		
6		

DATED	2015/06/24	CUSTOMER	ROHM Semiconductor		
NAME	Coin Battery Board (CR2450)				
MODEL No.					
PCB NO.		APPROVED	CHECKED	DESIGNED	DRAWN
DRAWING No.		-----	-----	Atsushi Momota	Atsushi Momota
SHEET:	1 OF 1				